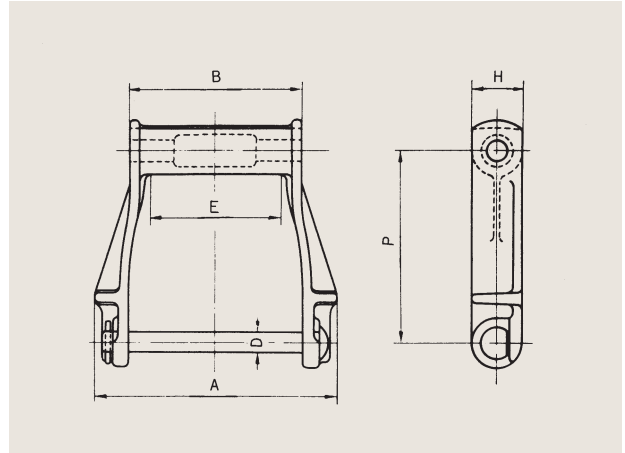


Cast Chains

Drag chains

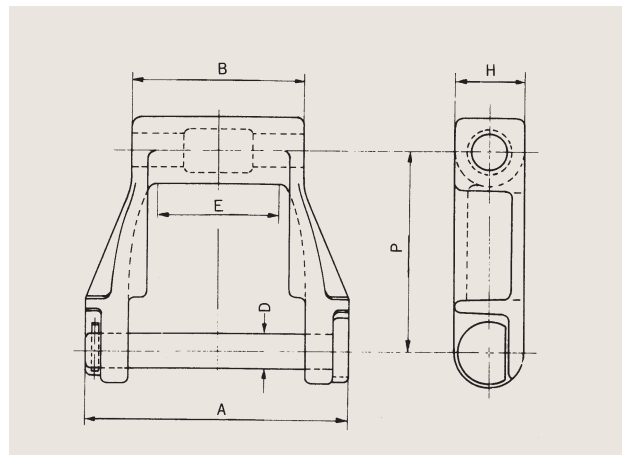
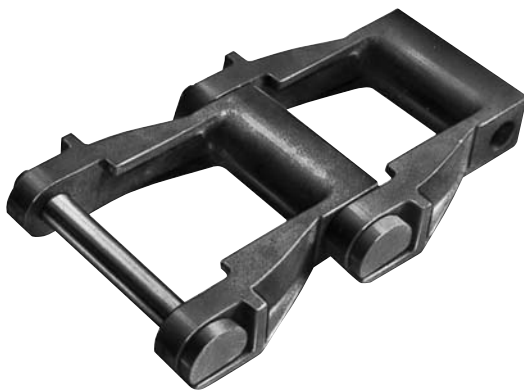
Drag chains are designed with wear resistant structures, using heavy, wide bottomed links. Use SD drag chains when particularly high wear resistance is required.

DC type



Chain No.	Pitch P		Dimensions (mm)					Average ultimate strength		Maximum allowable load		Mass (kg/link)
	(mm)	(in)	A	B	D	E	H	(kN)	(kgf)	(kN)	(kgf)	
DC507	127.0	5	187	143	16	113	38	143	14600	18.6	1900	2.05
DC607	152.4	6	190	135	16	105	38	143	14600	18.6	1900	2.16
DC613	152.4	6	314	270	16	240	38	143	14600	18.6	1900	3.31
DC816	203.2	8	422	368	19	330	45	194	19800	28.4	2900	7.20

SD Type



Chain No.	Pitch P		Dimensions (mm)					Average ultimate strength		Maximum allowable load		Mass (kg/link)
	(mm)	(in)	A	B	D	E	H	(kN)	(kgf)	(kN)	(kgf)	
SD19	152.4	6	203	133	25.4	93	51	275	28000	68.6	7000	4.80
SD27	228.6	9	254	175	28.6	100	64	441	45000	83.3	8500	11.05