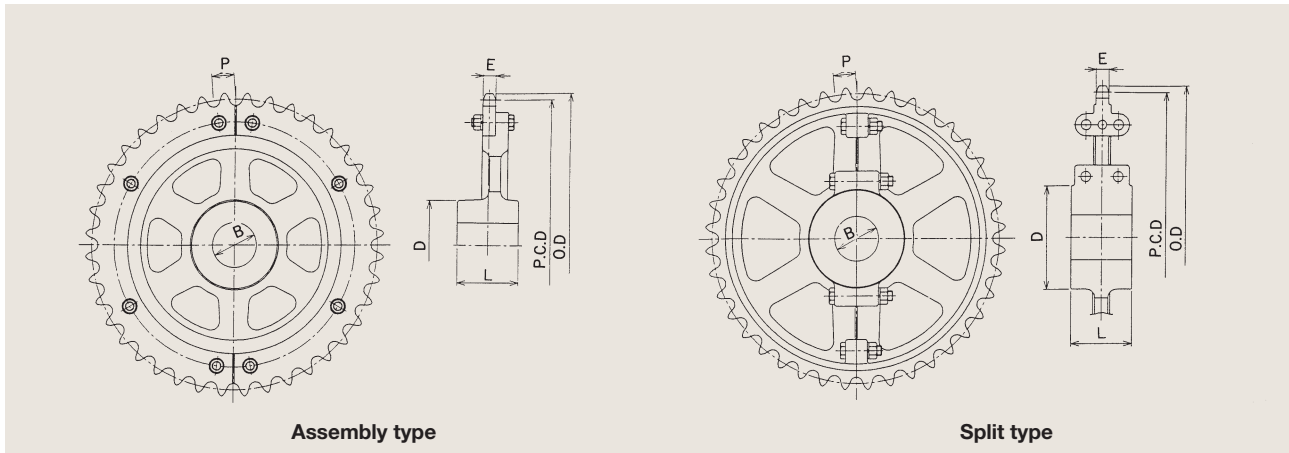


# Chains for Water Treatment Systems

## Drive chain sprockets

Drive chain sprockets are available in three types: Unitary, assembly and split types. They can be made from cast stainless steel or ductile cast iron. Assembly type sprockets combine stainless steel teeth tips with ductile cast iron bosses.



Chain No.	No. of teeth N	Pitch circle Dia. P.C.D. (mm)	Outer Dia. O.D. (mm)	Type	Bore Dia. B (mm)		Hub (mm)		Tooth Width E (mm)	Mass (kg)
					Pilot bore	Maximum	Dia. D	Width L		
HB140	11	157.78	178	Unitary type	40	60	100	100	23.5	8
				Unitary type	53	95	150	100		36
	35	495.88	521	Assembly type	80	125	200	130		78
				Split type	80	125	200	130		55
	40	566.54	591	Unitary type	58	105	170	110		45
				Assembly type	80	125	200	130		84
				Split type	80	125	200	130		75
	45	637.22	662	Unitary type	58	105	170	110		56
				Assembly type	80	125	200	130		99
				Split type	80	125	200	130		83
	50	707.91	733	Unitary type	58	105	170	110		57
				Assembly type	80	125	200	130		110
Split type				80	145	230	97			
HB160	11	180.31	204	Unitary type	40	70	115	120	29.4	12
	30	485.99	514	Unitary type	58	105	170	110		45
				Unitary type	58	105	170	110		55
	35	566.71	595	Unitary type	58	105	170	110		55
				Assembly type	80	125	200	140		96
	37	599.01	627	Split type	125	160	250	160		104
				Unitary type	68	125	200	130		72
	40	647.47	676	Assembly type	80	145	230	140		106
				Split type	80	145	230			99
				Unitary type	68	125	200	130		86
	45	728.25	757	Assembly type	80	145	230	140		128
				Split type	80	145	230			110
				Unitary type	68	125	200	130		94
	50	809.04	838	Assembly type	80	145	230	140		148
				Split type	80	145	230			130
				Unitary type	68	125	200	130		114
	55	889.84	919	Assembly type	80	145	230	140		195
				Split type	80	145	230	140		138
Unitary type				68	125	200	130	114		
HB200	11	225.39	254	Unitary type	50	90	145	120	35.3	21
	35	708.39	744	Unitary type	88	160	250	160		112
				Split type	90	160	250	160		128
	37	748.77	784	Split type	125	160	250	160		131
				Unitary type	88	160	250	160		118
	40	809.34	845	Split type	90	160	250	160		144
				Unitary type	98	175	280	180		158
	45	910.31	946	Split type	100	175	280	180		188
Unitary type				50	95	150	120	44.1	29	
HB240	11	270.47	305	Unitary type	50	95	150		120	29
	37	898.52	941	Split type	125	160	250	160	196	

Note: The unitary and split types are made from cast stainless steel.