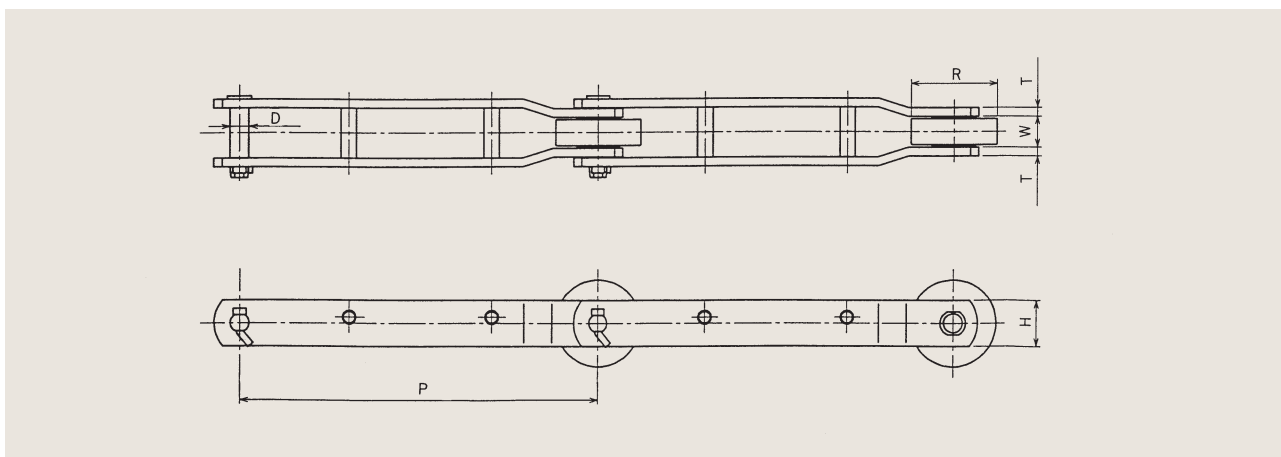


## Carrying chains

These are large offset-type bushed roller chains used in automatic debris removal equipment at the coolant water intakes of power stations. They incorporate various design features in materials, heat treatments and other aspects to enable use in sea water.



Chain No.	Pitch P (mm)	Roller Dia. R (mm)	Inner width W (mm)	Pin Dia. D (mm)	Link plate		Average ultimate strength		Mass (kg/m)
					Height H (mm)	Thickness T (mm)	(kN)	(kgf)	
HR60020R	600	100	34.0	18.9	50.8	9.5	196	20000	11.7
HR60025R		100	38.0	22.1	63.5	9.5	245	25000	14.3
HR60040R		100	54.0	25.2	76.2	12.7	392	40000	23.3
HR60050R		100	64.0	28.0	76.2	16.0	490	50000	28.3
HR60063R		115	72.0	31.6	90.0	16.0	618	63000	35.8
HR60080R		125	80.0	35.5	100	19.0	784	80000	48.3